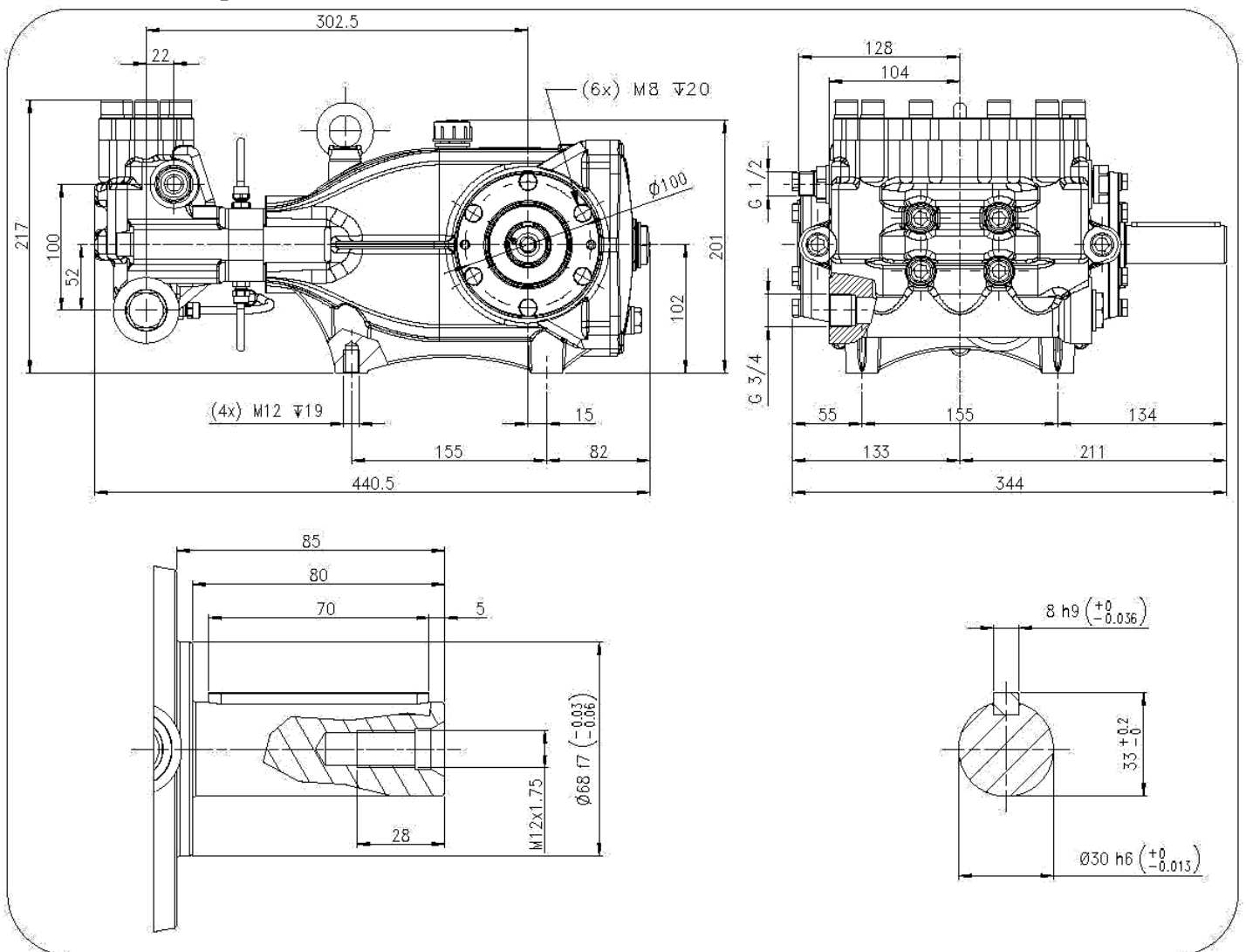


Caratteristiche Tecniche			MPX 2021 HEAVY DUTY						<i>Technical Characteristics</i>			
			500 bar									
Pump Pompa	Pressure Pressione		Volume Portata				RPM giri/min		Power Potenza			
			l/min		GPM				HP		kW	
	bar	PSI	50 Hz	60 Hz	50 Hz	60 Hz	50 Hz	60 Hz	50 Hz	60 Hz	50 Hz	60 Hz
MPX2550EB	500	7250	25	30	6,7	8	1450	1740	32,3	38,8	23,8	28,6
MPX3050EB	500	7250	30	36	8	9,6	1450	1740	38,7	46,4	28,5	34,2

### Dimensioni d'ingombro

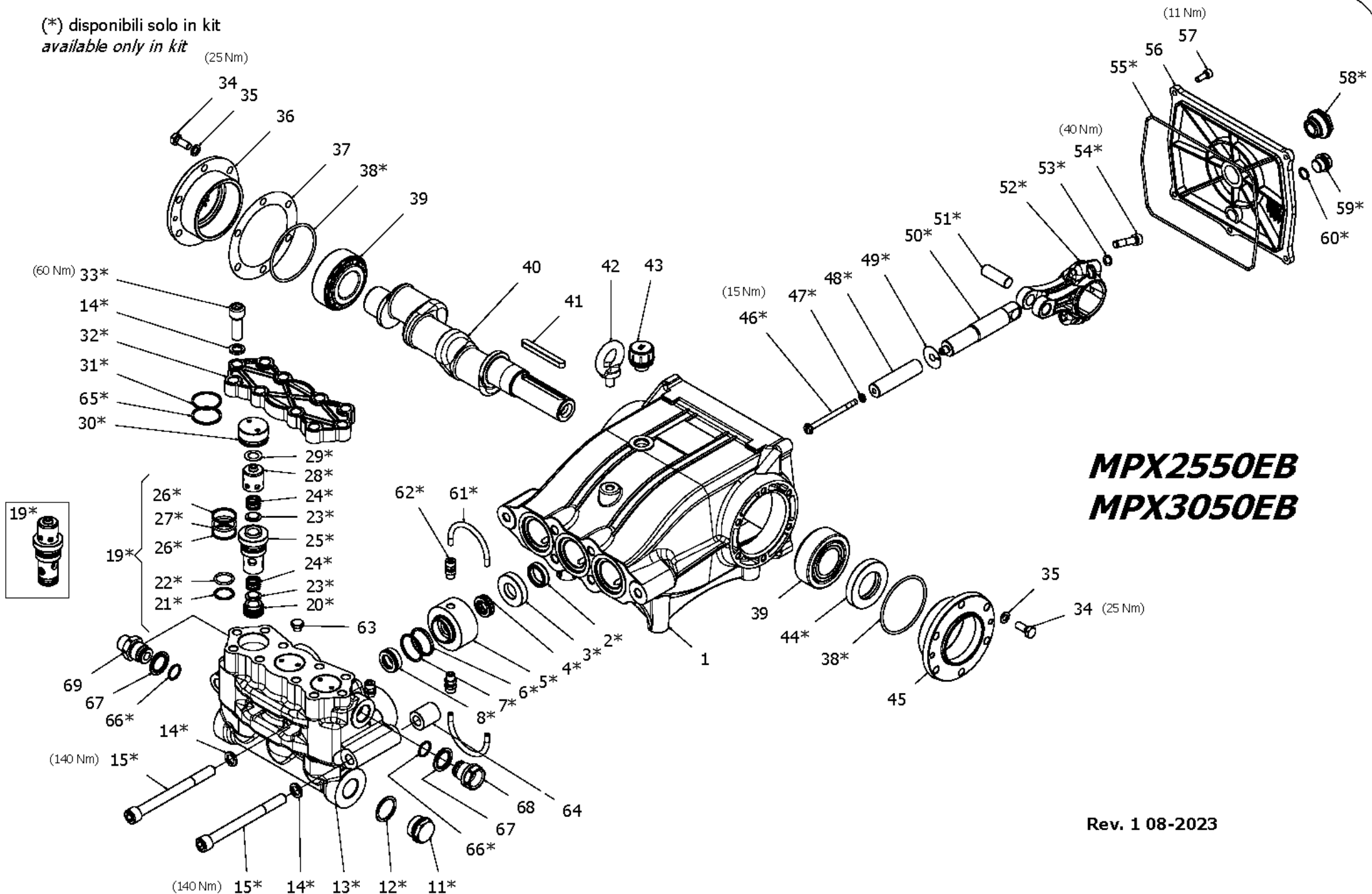
### Overall dimensions



Lubrificazione: Olio SAE 10W-40  
 Capacità: 2,3 Litri  
 Peso pompa: 37 Kg

Lubrication: SAE 10W-40 Oil  
 Capacity: 2,3 Litres  
 Weight: 37 Kg

(\*) disponibili solo in kit  
available only in kit



**HAWK**  
**Pompe MPX serie 2021 HEAVY DUTY**  
**MPX Pumps 2021 HEAVY DUTY series**

## MPX EB SERIES

### ORDINARY MAINTENANCE KIT / KIT MANUTENZIONE ORDINARIA

KIT	Item Pos	Part Number Codice	Description	Descrizione	Q.TY per pump - Q.TÀ per pompa	MPX2550EB	MPX3050EB
A	4-6-7-8	1.904-450.0	PISTON SEAL PACKING Ø18	GUARNIZIONI PISTONE Ø18	1		
B	19 (20-21-22-23 24-25-26-27-28 29) 65-31	1.904-453.0	COMPLETE VALVE	VALVOLE COMPLETE	1	•	•

### EXTRAORDINARY MAINTENANCE KIT / KIT MANUTENZIONE STRAORDINARIA

KIT	Item Pos	Part Number Codice	Description	Descrizione	Q.TY per pump - Q.TÀ per pompa	MPX2550EB	MPX3050EB
C	2	1.099-766.0	PLUNGER OIL SEALS	TENUTE OLIO ASTA PISTONE	1		
D	46-47-48-49	1.904-452.0	PLUNGER Ø18	PISTONE Ø18	3		
E	38-44-55-58-59 60	1.099-805.0	KIT CRANCKASE SEALS	KIT TENUTE CARTER	1		
F	14-15	9.853-518.0	MANIFOLD SCREWS	VITI TESTATA	1		
I	11-12-13-14- 30-32-33-66- 67-68-69	1.905-157.0	CYLINDER HEAD KIT	KIT TESTATA		•	•
L	3-4-5-6-7-8	1.904-973.0	COMPLETE SEAL PACKING	KIT GUARNIZIONI COMPLETO			
G	50-51-52-53-54	1.904-428.0	PLUNGER ROD- CONNECTING ROD	ASTA PISTONE-BIELLA	3		
H	61-63	1.904-456.0	COMPLETE CIRCULATION PIPES	TUBI RICIRCOLO	1		

“Q.TY by Pump” => Necessary quantity to repair one pump  
 “Q.TA’ per Pompa” => Quantità necessaria per riparare una pompa

Part number Codice	Description	Descrizione
1.099-669.0	TOOL KIT	TOOL KIT
1.904-418.0	TOOL KIT EXTRAORDINARY	TOOL KIT STRAORDINARIA

### IMPORTANT IMPORTANTE

\* Part available ONLY in kit  
 Disponibile SOLO in kit

(...) Parts pre-assembled  
 Parti pre-assemblate

## PARTS LIST LISTA PARTI

Item Pos	Part Number Codice	Description	Descrizione	Q.TY Q.TÀ	kit	MPX2550EB	MPX3050EB
1	9.853-515.0	CARTER	CARTER	1			
2*		PLUNGER OIL SEAL	ANELLO RADIALE	3	C		
3		SUPPORT RING	PRESSORE	3	L		
4*		"U" SEAL	GUARN. "U"	3	A-L		
5		INTERMED. RING	DIFFUSORE	3	L		
6*		BACK RING	ANELLO ANTIESTR.	3	A-L		
7*		O-RING	O-RING	3	A-L		
8*		"U" SEAL	GUARN. "U"	3	A-L		
11		BRASS PLUG G3/4"	TAPPO G3/4"	1	I		
12		COPPER SPACER G3/4"	GUARNIZIONE G3/4"	1	I		
13		MANIFOLD HOUSING	TESTATA OTTONE	1	I		
14*		SPRING WASHER	ROSETTA ELAST.	16	F-I		
15*		MANIFOLD HOUSING SCREW	VTCEI M12 x 130	6	F		
19*		VALVE ASSEMBLY	VALVOLA PREMONTATA	3	B		
20*		VALVE SEAT	SEDE VAM	3	B		
21*		BACK RING	ANELLO ANTIESTR.	3	B		
22*		O-RING	O-RING	3	B		
23*		VALVE PLATE	PIATTELLO VAM	6	B	•	•
24*		VALVE SPRING	MOLLA VAM	6	B		
25*		VALVE CAGE	GABBIA VAM IMPILATA	3	B		
26*		BACK RING	ANELLO ANTIESTR.	6	B		
27*		O-RING	O-RING	3	B		
28*		VALVE CAGE	GABBIA VAM	3	B		
29*		COPPER WASHER	ROSETTA RAME	3	B		
30		VALVE SPACER CAP	DISTANZIALE TAPPO VAM	3	I		
31*		BACK RING	ANELLO ANTIESTR.	3	B		
32		MANIFOLD HOUSING COVER	COPERCHIO TESTATA	1	I		
33		COVER SCREW	VITE COPERCHIO TESTATA	10	I		
34	9.851-503.0	BEARING HOUSING SCREW	VITE FLANGIA CUSCINETTI	12			
35	9.851-114.0	WASHER	ROSETTA M8 UNI 6592V	12			
36	9.850-641.0	BEARING HOUSING	FLANGIA CHIUSA	1			
37	9.850-556.0	SHIM 0,1mm	DISTANZIALE FLANGIA 0,1mm	1			
	9.850-557.0	SHIM 0,05mm	DISTANZIALE FLANGIA 0,05mm	1			
38*		O-RING	O-RING	2	E		
39	9.851-963.0	ROLLER BEARING	CUSCINETTO	2			

Item Pos	Part Number Codice	Description	Descrizione	Q.TY Q.TÀ	kit	MPX2550EB	MPX3050EB
40	9.850-231.0	CRANKSHAFT SPTO Ø30	ALBERO SPTO Ø30	1			•
	9.850-232.0	CRANKSHAFT SPTO Ø30	ALBERO SPTO Ø30	1		•	
41	9.850-450.0	CRANKSHAFT KEY	LINGUETTA	1			
42	9.851-457.0	EYEBOLT	GOLFARE	1			
43	9.853-617.0	OIL DIP STICK	TAPPO SFIATO OLIO	1			
44*		PLUNGER OIL SEAL	ANELLO RADIALE	1	E		
45	9.850-642.0	BEARING HOUSING	FLANGIA APERTA	1			
46*		PLUNGER INOX SCREW	VITE INOX PISTONE	3	D		
47*		BONDED SEAL	BONDED SEAL	3	D		
48*		PLUNGER	PISTONE	3	D		
49*		COPPER SPACER	ROSETTA PISTONE	3	D		
50*		PLUNGER ROD	ASTA GUIDA PISTONE	3	G		
51*		CONNECTING ROD PIN	SPINOTTO	3	G		
52*		CONNECTING ROD	BIELLA	3	G		
53*		SCHNORR WASHER	ROSETTA SCHNORR	6	G		
54*		CONNECTING ROD SCREW	VITE BIELLA	6	G		
55*		O-RING	O-RING	1	E	•	•
56	9.850-393.0	CRANKCASE COVER	COPERCHIO POSTERIORE	1			
57	9.851-474.0	COVER SCREW	VITE COPERCHIO	5			
58*		SIGHT GLASS G 3/4"	SPIA LIVELLO OLIO G3/4	1	E		
59*		BRASS PLUG G3/8"	TAPPO G3/8"	1	E		
60*		O-RING	O-RING	1	E		
61*		RED PIPE	TUBO ROSSO	4	H		
62*		FITTING	RACCORDO	6	H		
63	9.851-353.0	CUP	TAPPO	1			
64	9.853-516.0	SLEEVE	MANICOTTO VITE TESTATA	2			
65*		O-RING	O-RING	3	B		
66		"O" RING Ø1,78x17,17	"O" RING Ø1,78x17,17	2	I		
67		BONDED SEAL M22	BONDED SEAL M22	2	I		
68		BRASS PLUG M22x1	TAPPO OTTONE M22x1	1	I		
69		NIPPLE M-M M22x1 - G1/2	RACCORDO INOX M22x1 - G1/2	1	I		