

MPX HY 2021

Albero cavo/scanalato SAEJ744 –
Hollow shaft SAEJ744

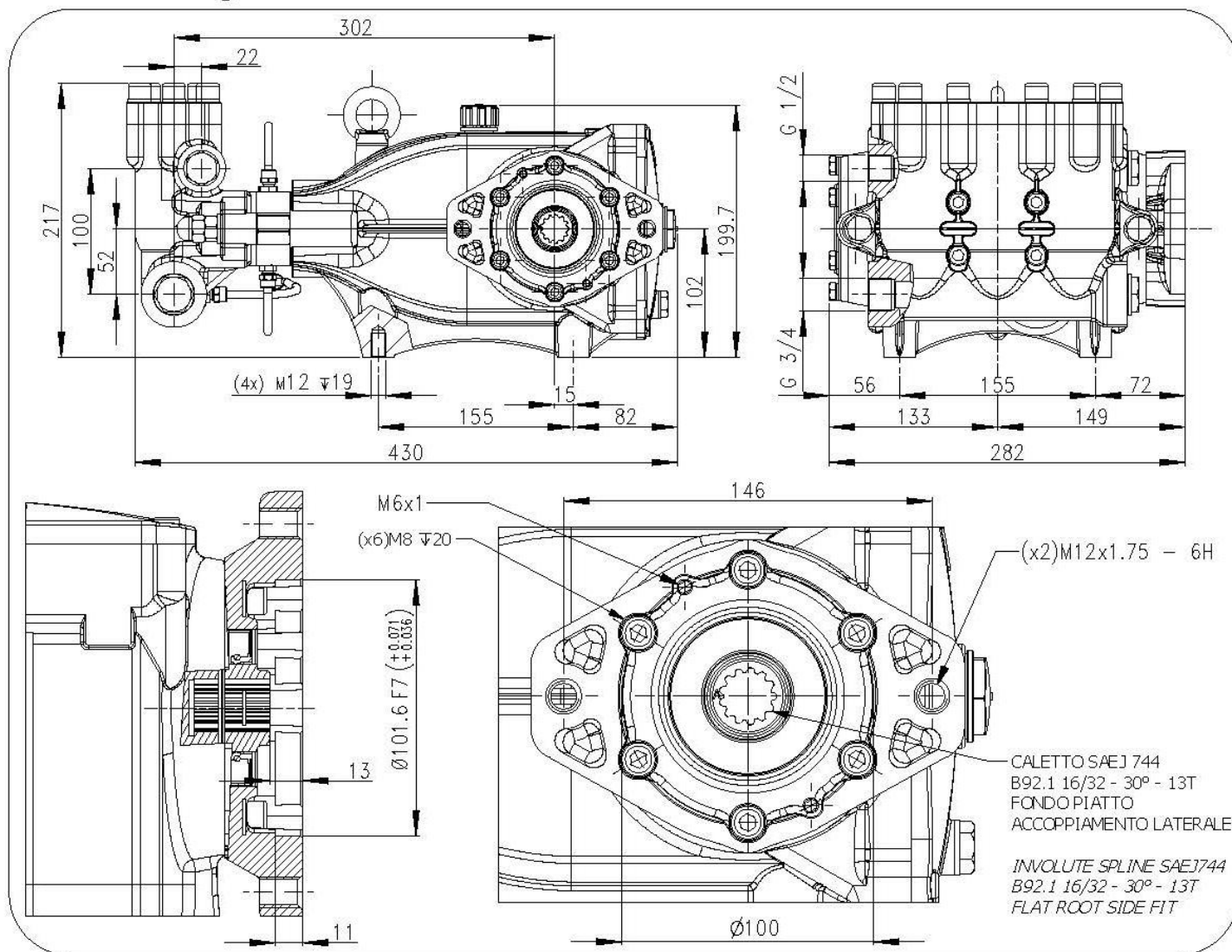
Caratteristiche Tecniche

Technical Characteristics

| Pump Pompa | Pressure Pressione | | Volume Portata | | | | RPM giri/min | | Power Potenza | | | |
|---------------|-----------------------|------|-------------------|-------|-------|-------|-----------------|-------|------------------|-------|-------|-------|
| | | | l/min | | GPM | | | | HP | | kW | |
| | bar | PSI | 50 Hz | 60 Hz | 50 Hz | 60 Hz | 50 Hz | 60 Hz | 50 Hz | 60 Hz | 50 Hz | 60 Hz |
| MPX4535HY | 350 | 5075 | 45 | 54 | 11.9 | 14.3 | 1450 | 1740 | 40.5 | 48.6 | 29.8 | 35.8 |
| MPX5825HY | 250 | 3625 | 58 | 70 | 15.3 | 18.5 | 1450 | 1740 | 37.2 | 44.9 | 27.4 | 33 |

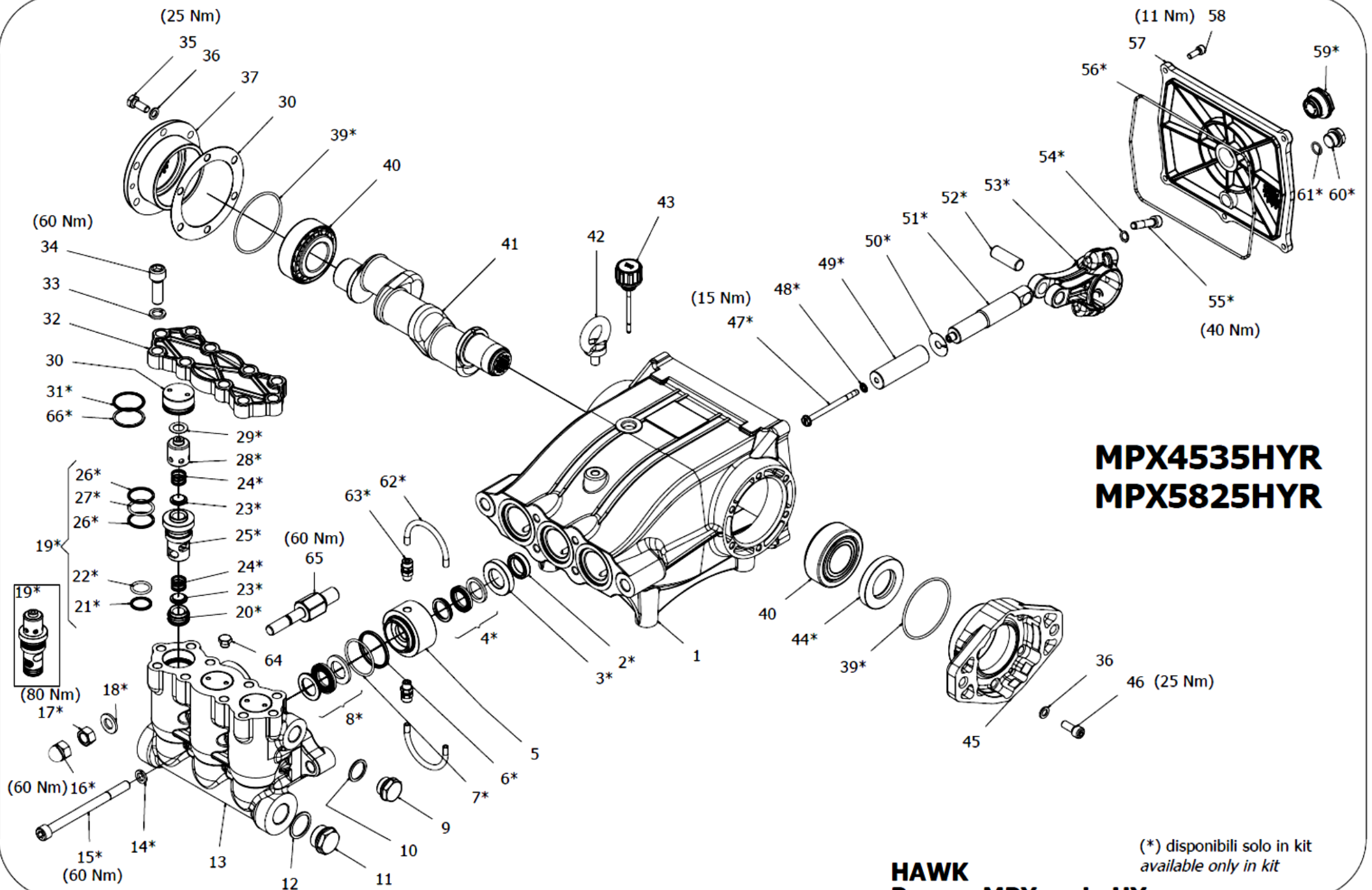
Dimensioni d'ingombro

Overall dimensions



Lubrificazione: Olio SAE 10W40
Capacità: 2.1 Litri
Peso pompa: 32.5 kg

Lubrication: SAE 10W40 Oil
Capacity: 2.1 Litres
Weight: 32.5 kg



**MPX4535HYR
MPX5825HYR**

HAWK
Pompe MPX serie HY
MPX pumps HY series

(*) disponibili solo in kit
available only in kit

MPX HY SERIES 2021

ORDINARY MAINTENANCE KIT / KIT MANUTENZIONE ORDINARIA

| KIT | Item Pos | Part Number Codice | Description | Descrizione | Q.TY per pump - Q.TÀ per pompa | MPX4535HY | MPX5825HY |
|-----|--|--------------------|-------------------------|-------------------------|--------------------------------|-----------|-----------|
| A | 4- 6- 7- 8 | 1.904-455.0 | PISTON SEAL PACKING Ø22 | GUARNIZIONI PISTONE Ø22 | 1 | | |
| B | 19 (20- 21- 22- 23 24- 25- 26- 27- 28 29) 31- 66 | 1.904-453.0 | COMPLETE VALVE | VALVOLE COMPLETE | 1 | • | • |

EXTRAORDINARY MAINTENANCE KIT / KIT MANUTENZIONE STRAORDINARIA

| KIT | Item Pos | Part Number Codice | Description | Descrizione | Q.TY per pump - Q.TÀ per pompa | MPX4535HY | MPX5825HY |
|-----|----------------------------------|--------------------|----------------------------|----------------------------|--------------------------------|-----------|-----------|
| C | 2 | 1.099-766.0 | PLUNGER OIL SEALS | TENUTE OLIO ASTA PISTONE | 1 | | |
| D | 47- 48- 49- 50 | 1.904-457.0 | PLUNGER Ø22 | PISTONE Ø22 | 3 | | |
| E | 39- 45- 56- 59- 60 61 | 1.099-805.0 | KIT CRANCKASE SEALS | KIT TENUTE CARTER | 1 | | |
| F | 14- 15- 16- 17- 18 | 1.904-451.0 | MANIFOLD SCREWS | VITI TESTATA | 1 | | |
| G | 51- 52- 53- 54- 55 | 1.904-428.0 | PLUNGER ROD-CONNECTING ROD | ASTA PISTONE-BIELLA | 3 | • | • |
| H | 62- 63 | 1.904-456.0 | COMPLETE CIRCULATION PIPES | TUBI RICIRCOLO | 1 | | |
| L | 3- 4- 5- 6- 7- 8 | 1.904-972.0 | COMPLETE SEAL PACKING | PACCO COMPLETO GUARNIZIONI | 1 | | |
| M | 9- 10- 11- 12- 13 30- 32- 33- 34 | 1.904-974.0 | CYLINDER HEAD KIT | KIT TESTATA | 1 | | |

“Q.TY by Pump” => Necessary quantity to repair one pump
 “Q.TA’ per Pompa” => Quantità necessaria per riparare una pompa

| Part number Codice | Description | Descrizione |
|--------------------|------------------------|------------------------|
| 1.099-669.0 | TOOL KIT | TOOL KIT |
| 1.904-418.0 | TOOL KIT EXTRAORDINARY | TOOL KIT STRAORDINARIA |

IMPORTANT IMPORTANTE

* Part available ONLY in kit
 Disponibile SOLO in kit

(...) Parts pre-assembled
 Parti pre-assemblate

PARTS LIST LISTA PARTI

| Item Pos | Part Number Codice | Description | Descrizione | KIT | Q.TY Q.TÀ | MPX4535HY | MPX5825HY |
|----------|--------------------|------------------------|----------------------------|-------|-----------|-----------|-----------|
| 1 | 9.850-373.0 | CARTER | CARTER | | 1 | | |
| 2* | | PLUNGER OIL SEAL | ANELLO RADIALE | C | 3 | | |
| 3* | | SUPPORT RING | PRESSORE | L | 3 | | |
| 4* | | "U" SEAL | GUARN. "U" | A - L | 3 | | |
| 5* | | INTERMED. RING | DIFFUSORE | L | 3 | | |
| 6* | | BACK RING | ANELLO ANTIESTR. | A - L | 3 | | |
| 7* | | O-RING | O-RING | A - L | 3 | | |
| 8* | | "U" SEAL | GUARN. "U" | A - L | 3 | | |
| 9* | | PLUG G1/2" | TAPPO G1/2" | M | 1 | | |
| 10* | | SEAL WASHER G1/2" | GUARNIZIONE G1/2" | M | 1 | | |
| 11* | | BRASS PLUG G3/4" | TAPPO G3/4" | M | 1 | | |
| 12* | | COPPER SPACER G3/4" | GUARNIZIONE G3/4" | M | 1 | | |
| 13* | | MANIFOLD HOUSING | TESTATA OTTONE | M | 1 | | |
| 14* | | SPRING WASHER | ROSETTA ELAST. | F | 4 | | |
| 15* | | MANIFOLD HOUSING SCREW | VTCEI M10 x 130 ISO 4762-p | F | 4 | | |
| 16* | | NUT CAP | DADO | F | 2 | | |
| 17* | | NUT | DADO M12 UNI5588 | F | 2 | | |
| 18* | | WASHER | ROSETTA | F | 2 | | |
| 19* | | VALVE ASSEMBLY | VALVOLA PREMONTATA | B | 3 | | |
| 20* | | VALVE SEAT | SEDE VAM | B | 3 | | |
| 21* | | BACK RING | ANELLO ANTIESTR. | B | 3 | | |
| 22* | | O-RING | O-RING | B | 3 | | |
| 23* | | VALVE PLATE | PIATTELLO VAM | B | 6 | | |
| 24* | | VALVE SPRING | MOLLA VAM | B | 6 | | |
| 25* | | VALVE CAGE | GABBIA VAM IMPILATA | B | 3 | | |
| 26* | | BACK RING | ANELLO ANTIESTR. | B | 6 | | |
| 27* | | O-RING | O-RING | B | 3 | | |
| 28* | | VALVE CAGE | GABBIA VAM | B | 3 | | |
| 29* | | COPPER WASHER | ROSETTA RAME | B | 3 | | |
| 30* | | VALVE SPACER CAP | DISTANZIALE TAPPO VAM | M | 3 | | |
| 31* | | BACK RING | ANELLO ANTIESTR. | B | 3 | | |
| 32* | | MANIFOLD HOUSING COVER | COPERCHIO TESTATA | M | 1 | | |
| 33* | | WASHER | ROSETTA | M | 10 | | |
| 34* | | COVER SCREW | VITE COPERCHIO TESTATA | M | 10 | | |
| 35 | 9.851-503.0 | BEARING HOUSING SCREW | VITE FLANGIA CUSCINETTI | | 12 | | |
| 36 | 9.851-114.0 | WASHER | ROSETTA M8 UNI 6592V | | 12 | | |
| 37 | 9.850-641.0 | BEARING HOUSING | FLANGIA CHIUSA | | 1 | | |

| Item Pos | Part Number Codice | Description | Descrizione | KIT | Q.TY Q.TÀ | MPX4535HY | MPX5825HY |
|----------|--------------------|-----------------------------|------------------------------|-----|-----------|-----------|-----------|
| 38 | 9.850-556.0 | SHIM 0,1mm | DISTANZIALE FLANGIA 0,1mm | | 1 | • | • |
| | 9.850-557.0 | SHIM 0,05mm | DISTANZIALE FLANGIA 0,05mm | | 1 | | |
| 39* | | O-RING | O-RING | E | 2 | | |
| 40 | 9.851-963.0 | ROLLER BEARING | CUSCINETTO | | 2 | | |
| 41 | 9.853-802.0 | HOLLOW CRANKSHAFT 15 mm | ALBERO CAVO ECC. 15 mm | | 1 | • | |
| | 9.853-803.0 | HOLLOW CRANKSHAFT 17.5 mm | ALBERO CAVO ECC. 17.5 mm | | 1 | | • |
| 42 | 9.851-457.0 | EYEBOLT | GOLFARE | | 1 | | |
| 43 | 9.851-287.0 | OIL DIP STICK | TAPPO SFIATO OLIO | | 1 | | |
| 44* | | PLUNGER OIL SEAL | ANELLO RADIALE | E | 1 | | |
| 45* | 9.853-801.0 | FLANGE SAE J744 B (MPX-MXT) | FLANGIA SAE J744 B (MPX-MXT) | | 1 | | |
| 46 | 9.851-476.0 | SCREW M8x20 | VITE TCEI M8x20 | | 6 | | |
| 47* | | PLUNGER INOX SCREW | VITE INOX PISTONE | D | 3 | | |
| 48* | | BONDED SEAL | BONDED SEAL | D | 3 | | |
| 49* | | PLUNGER | PISTONE | D | 3 | | |
| 50* | | COPPER SPACER | ROSETTA PISTONE | D | 3 | | |
| 51* | | PLUNGER ROD | ASTA GUIDA PISTONE | G | 3 | | |
| 52* | | CONNECTING ROD PIN | SPINOTTO | G | 3 | | |
| 53* | | CONNECTING ROD | BIELLA | G | 3 | | |
| 54* | | SCHNORR WASHER | ROSETTA SCHNORR | G | 6 | • | • |
| 55* | | CONNECTING ROD SCREW | VITE BIELLA | G | 6 | | |
| 56* | | O-RING | O-RING | E | 1 | | |
| 57 | 9.850-393.0 | CRANKCASE COVER | COPERCHIO POSTERIORE | | 1 | | |
| 58 | 9.851-474.0 | COVER SCREW | VITE COPERCHIO | | 5 | | |
| 59* | | SIGHT GLASS G 3/4" | SPIA LIVELLO OLIO G3/4 | E | 1 | | |
| 60* | | BRASS PLUG G3/8" | TAPPO G3/8" | E | 1 | | |
| 61* | | O-RING | O-RING | E | 1 | | |
| 62* | | RED PIPE | TUBO ROSSO | H | 4 | | |
| 63* | | FITTING | RACCORDO | H | 6 | | |
| 64 | 9.851-353.0 | CUP | TAPPO | | 1 | | |
| 65 | 9.850-555.0 | MANIFOLD HOUSING SPACER | TIRANTE TESTATA | | 2 | | |
| 66* | | O-RING | O-RING | B | 3 | | |