

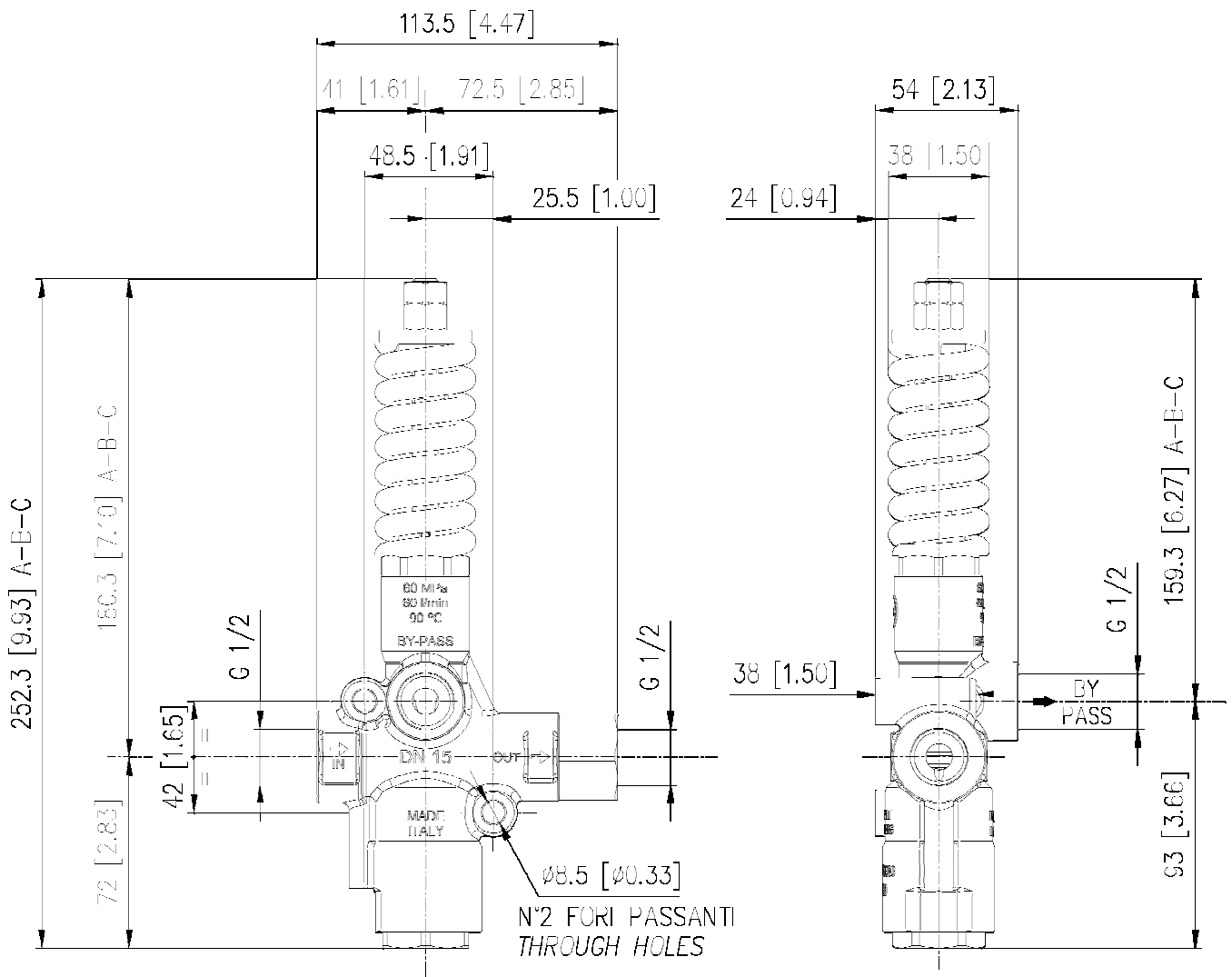
CARATTERISTICHE TECNICHE

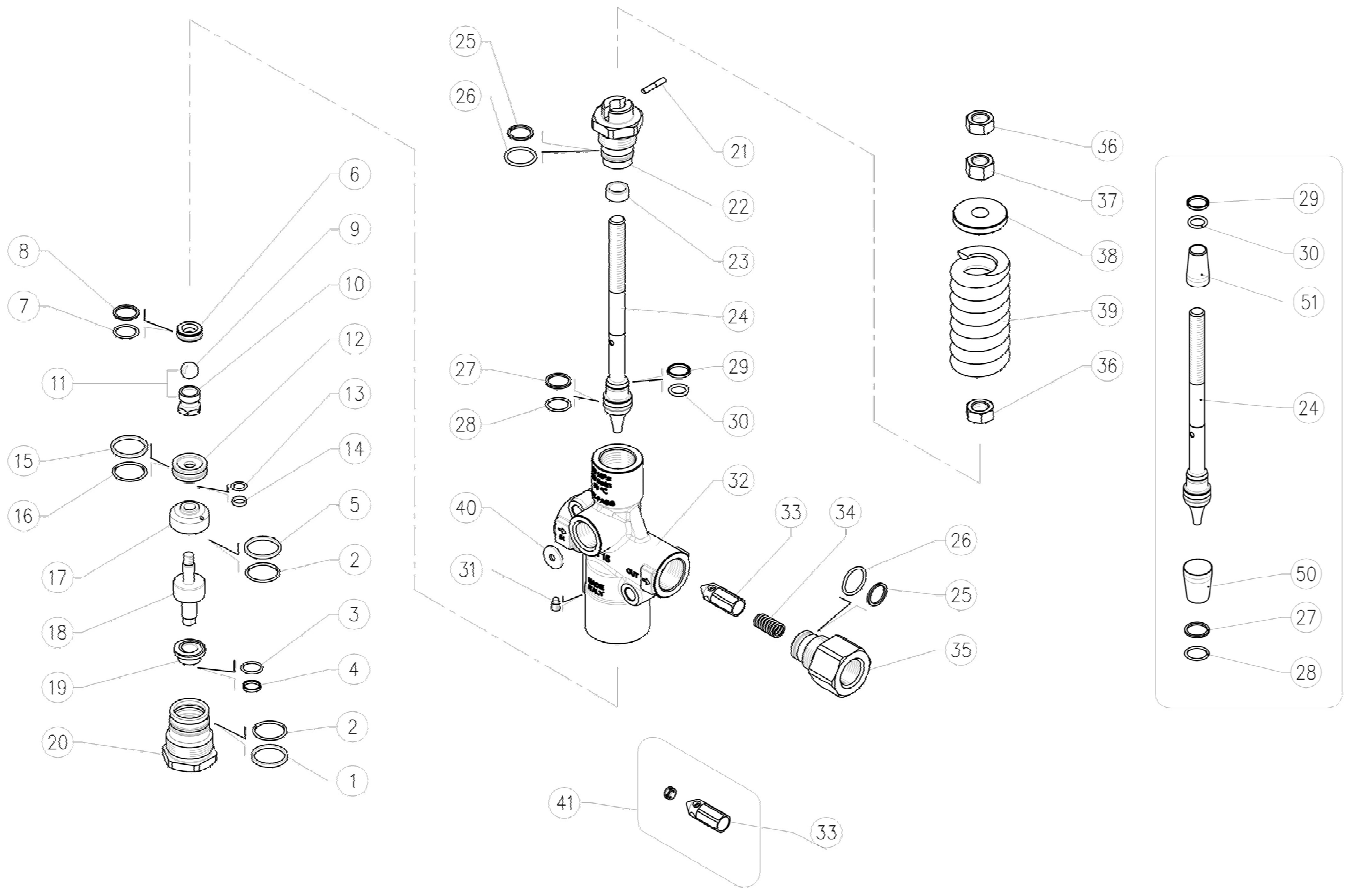
TECHNICAL CHARACTERISTICS

Codice Part No.	Pressione Max Max Pressure		Portata Flow rate		Temp. Max Max Temp.	Inlet Port Entrata	Outlet Port Uscita	By-pass
	bar	PSI	l/min	GPM	°C			
1.099-510.0	600	5700	60	16	90	G1/2" F	G1/2" F	G1/2" F

DIMENSIONI D'INGOMBRO

OVERALL DIMENSIONS





SPARE PARTS KIT

KIT RICAMBIO

CODICE CODE	POS.	Q.TA' Q.TY
1.905-634.0	1	1
	2	2
	3	1
	4	1
	5	1
	6	1
	7	1
	8	1
	11	1
	13	1
	14	1
	15	1
	16	1
	23	1
	25	2
	26	2
27	1	
29	1	
30	1	